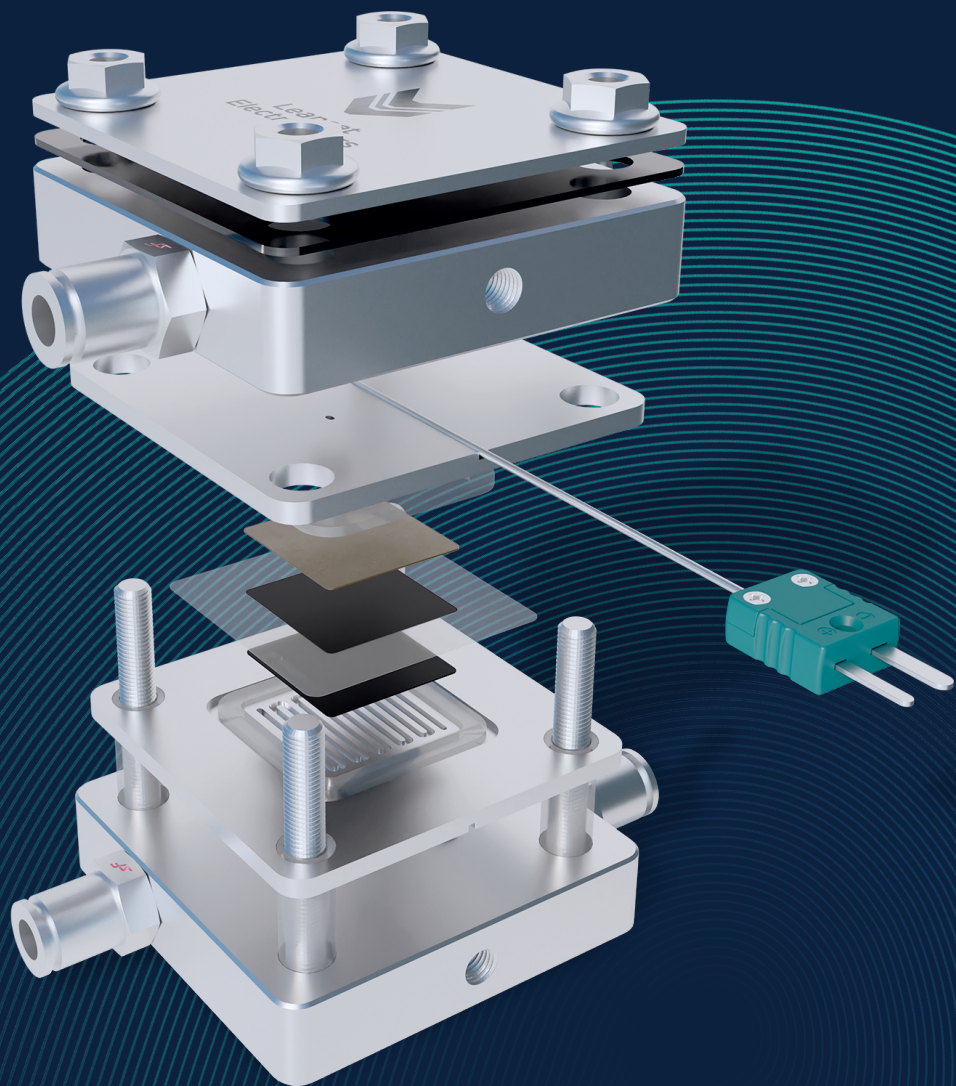
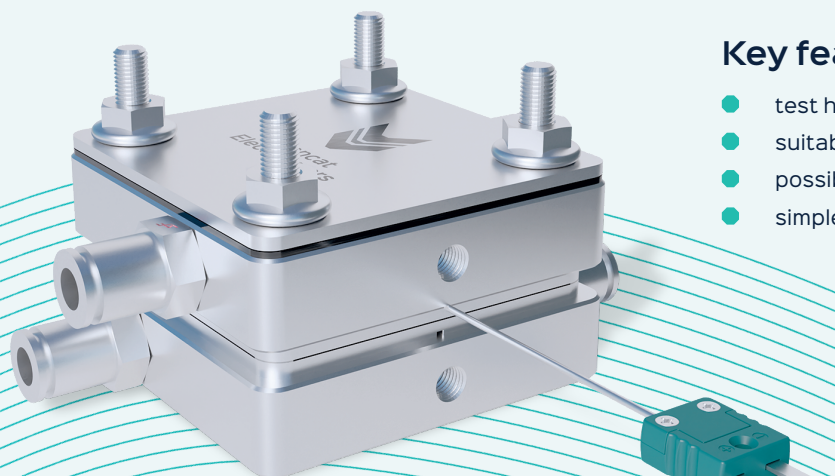


LEC-5

Laboratory electrolyzer
cell 5 cm²

Research and development of fuel cells and electrolyzers requires many experiments to be carried out under various conditions. Leancat Electrolyzers laboratory cell offer repeatable and well-controlled conditions as well as high durability thanks to its robust and clean design.





Key features

- test hardware for MEA and porous layers
- suitable for PEM or AEM electrolyzers
- possibility to pressurize up to 50 bar
- simple assembly and durable construction

Specifications

Number of cells:
1

Base and upper plates material:
Stainless steel

Operating pressure hydrogen:
up to 50 bar(g)

Operating pressure oxygen:
up to 50 bar(g)

Max. temperature:
up to 180°C

Temperature sensors:
1 mm K-type thermocouples included

Gas connection type:
G 1/8"

Material of current collectors:
Stainless steel

Material of bipolar plate:
Titanium Grade 1

Flow field:
Serpentine

Thickness of bipolar plates:
3 mm

Type of gasket:
Flat

Active area:
5 cm²

Material of gasket:
Silicone

Thickness of gasket:
1,5 mm



Leancat Electrolyzers s.r.o.
U Pergamenky 1145/12
Prague, 170 00, Czech Republic
info@leancatwe.com

